

### Save time and money with our pre-engineered pole base!

Pole foundations are usually cast-in-place at the job site, a process which requires significant time, has a rough quality appearance, and has a high rate of materials disposal. By eliminating costly and time-consuming steps, **our pre-engineered pole base is the ideal turnkey solution**, and simplifies the process. Capable of being installed independent of weather or site constraints, now you no longer need to wait on the pouring-in-place and wait-for-it-to-cure process!

### Time-Tested Creative Solutions

Since 1962, Bertelson Precast has been working with architects, designers and general contractors to develop attractive, durable and high-performance precast concrete solutions that help bring your creative designs to reality. Our **USA-made products** are manufactured using time-tested proprietary processes by our team of skilled and dedicated craftsmen at our seven acre facility in Modesto, California. Our superior quality products are designed for easier installation, strength and longevity.

We've earned a reputation as a client-centric collaborative company, dedicated to superior craftsmanship and design. Whether your design calls for "off-the-shelf" products, or custom solutions, our goal is to provide you the best in precast concrete solutions, exactly what you need, when and where you need it. You can depend on us.

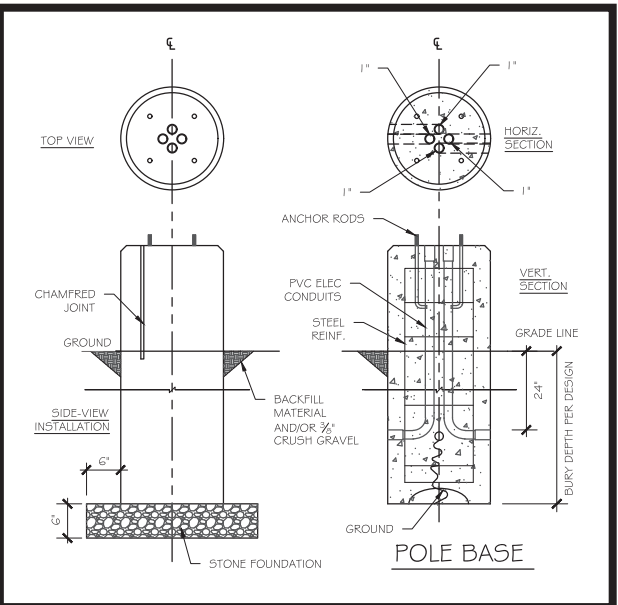
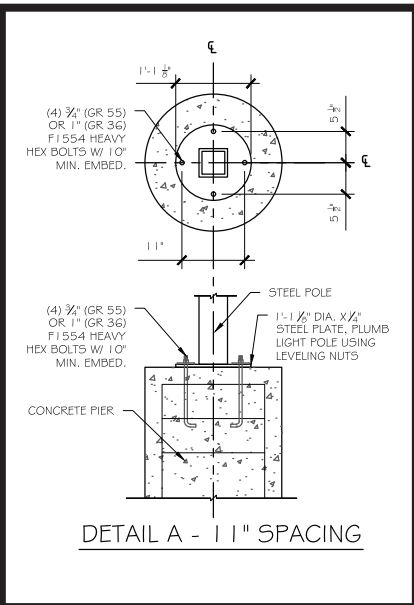
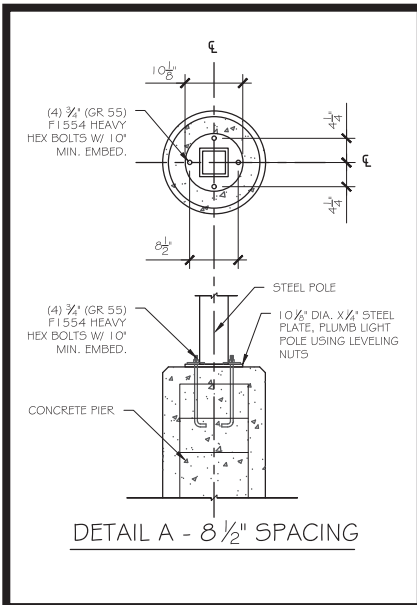
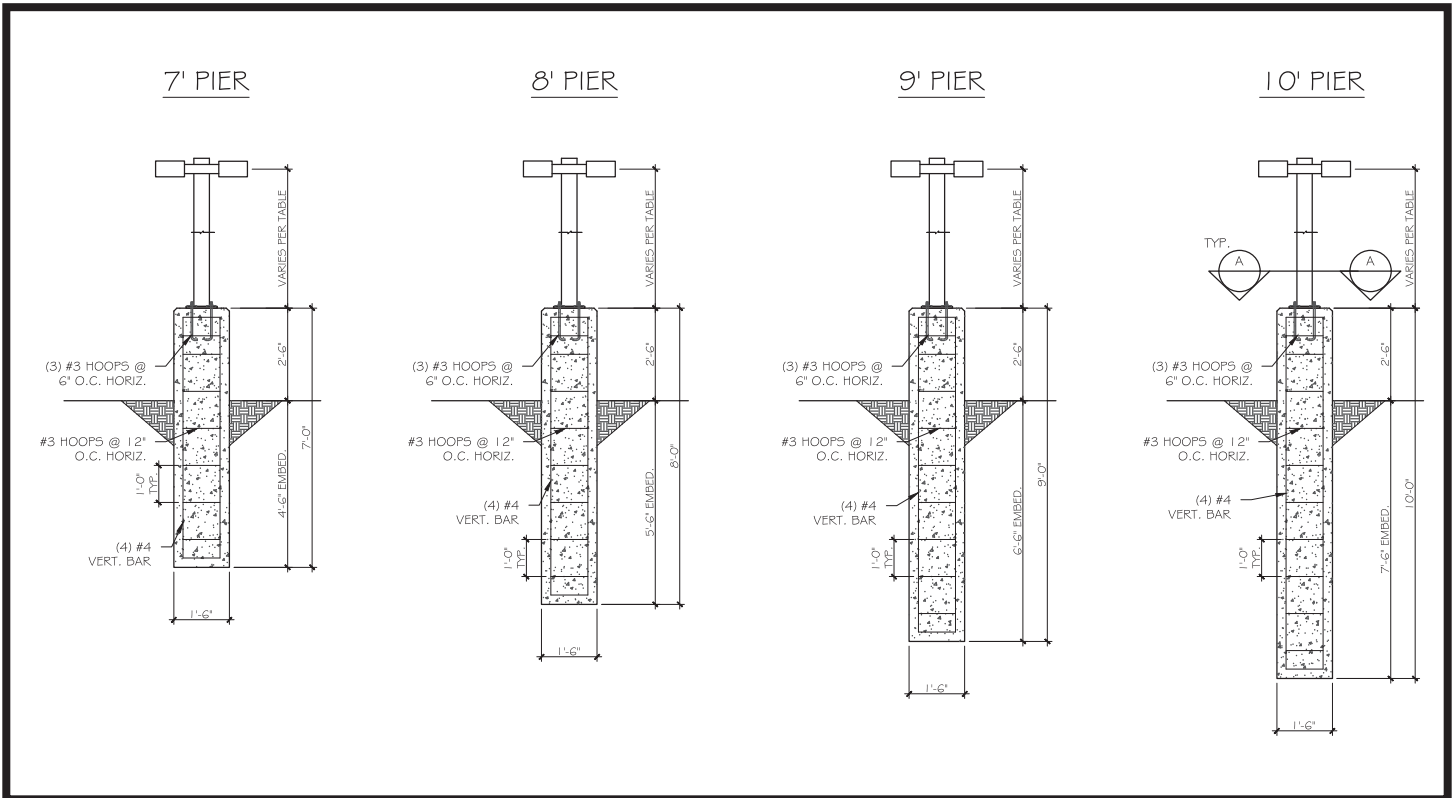
### MAXIMUM POLE HEIGHT (ft)

		BOLT CIRCLE DIA. (in)							
		8.5"				11"			
		PIER LENGTH (ft)							
LUMINARE	POLE TYPE	7'	8'	9'	10'	7'	8'	9'	10'
4 SF EPA	4" $\phi$ O.D.	24	35	35	35	24	35	39	39
	5" $\phi$ O.D.	25	36	36	36	25	36	40	40
	6" $\phi$ O.D.	26	37	37	37	26	37	41	41
	4"SQUARE	18	25	25	25	18	25	29	29
	5"SQUARE	18	26	26	26	18	26	30	30
	6"SQUARE	19	27	27	27	19	27	31	31
6 SF EPA	4" $\phi$ O.D.	21	32	32	32	21	32	36	36
	5" $\phi$ O.D.	22	33	33	33	22	33	37	37
	6" $\phi$ O.D.	22	33	33	33	22	33	37	37
	4"SQUARE	16	24	24	24	16	24	27	27
	5"SQUARE	17	24	24	24	17	24	28	28
	6"SQUARE	17	25	25	25	17	25	29	29
8 SF EPA	4" $\phi$ O.D.	19	29	29	29	19	29	33	33
	5" $\phi$ O.D.	19	30	30	30	19	30	34	34
	6" $\phi$ O.D.	20	30	30	30	20	30	34	34
	4"SQUARE	15	22	22	22	15	22	26	26
	5"SQUARE	15	23	23	23	15	23	27	27
	6"SQUARE	15	23	23	23	15	23	27	27

### Applications

- Pre-engineered and P.E. stamped
- Four heights (piers) available – 7', 8', 9', and 10'.
  - Custom heights as specified also available.
- 18" and 24" diameter available.
- Available in 8.5" and 11" bolt circles.
  - Custom design as specified is also available.
- Bolts embedded with base.
- Pole bases arrive at your site ready for installation

*See reverse for more information.*



**Design Method:** ASCE 7-05 (IBC 2009)

**Design Wind Speed** = 90 MPH/EPA = SF

- EPA includes pole and luminaire
- Assumed concrete base is 2 feet diameter protruding 3 feet or less
- If pole is tapered, use average width/diameter
- Values can be interpolated between tables
- Using 3/4" (grade 55) or 1" (grade 36) F1554 bolts
- Torsion effects are omitted

**BERTELSON**  
precast

Made in the USA

COME DISCOVER THE BERTELSON DIFFERENCE!  
800.864.8853 | 209.571.5430  
East Bay 510.483.6763 | Sacramento 916.330.0457

Learn more about our products and services or send us an RFQ at [www.BertelsonPrecast.com](http://www.BertelsonPrecast.com)